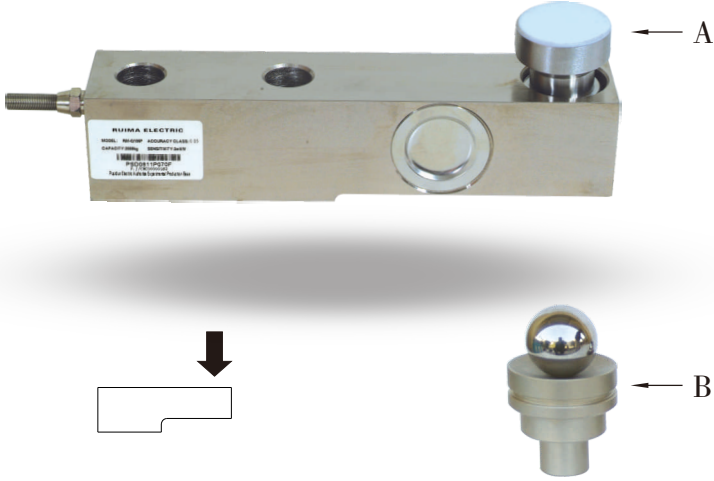


# RM-F8 剪切梁传感器

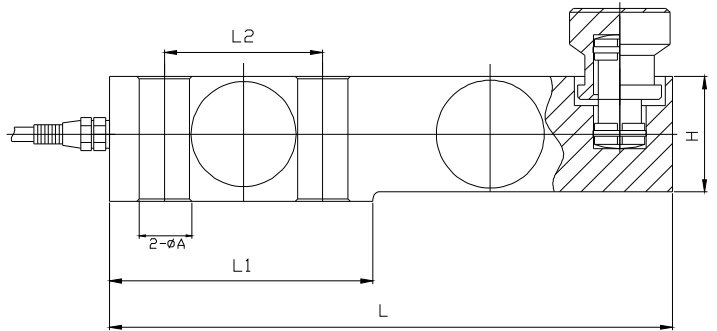


## 产品特性 Product Characteristic

本产品采用最常用的悬臂梁结构，自带承载台阶；可选配不倒翁，压头及钢球.适用于电子平台秤、料斗秤等各类电子称重设备.可替代托利多公司的SB型传感器.

With normal cantilever structure, equipped with many indenters;The eligibility goes together with to press the head and steel balls. it's suitable for electronic platform scale, batching scale and other weighing equipments.This type can act well like SB type of TOLEDO Load Cell.

## 外形图 Appearance Picture



## 外型尺寸 Dimensions

量程(t)	L(mm)	L1(mm)	L2(mm)	H(mm)	A
5-8	235	110	66	52	20
10	279	133	82.5	67	28
20	318	153	89	82.5	34

## 技术参数 Technical Parameter

载荷特性 Load Speciality	
额定载荷 Maximum Capacity	5~20t
准确度等级 Accuracy Class	C3 C2
灵敏度 Sensitivity	2.0 ± 0.002 mv/v
非线性(含滞后) Nonlinearity(Included Hysteresis)	± 0.02% F.S
重复性 Repeatability	± 0.02% F.S
蠕变(30分钟) Creep(30 Min)	± 0.02% F.S
温度特性 Temperature Speciality	
温度对零点影响 Temperature Effect On Zero Balance	± 0.02% F.S/10℃
温度对灵敏度影响 Temperature Effect On Sensitivity	± 0.02% F.S/10℃
工作温度 Service Temperature Range	-30 ~ +70℃
温度补偿范围 Compensated Temperature Range	-20 ~ +60℃
机械特性 Machine Speciality	
安全承载 Safe Load Limit	150% F.S
极限承载 Lateral Load Limit	200% F.S

破坏载荷 Breaking Load	300% F.S
电气特性 Electric Speciality	
输入电阻 Input Resistance	400 ± 20Ω
输出电阻 Output Resistance	350 ± 2Ω
绝缘电阻 Insulation Resistance	≥ 5000MΩ
零点平衡 Zero Balance	± 1% F.S
推荐工作电压 Recommended Excitation	10V(DC)
最大工作电压 Maximum Excitation	15V DC
其它 Else	
材质 Construction	合金钢 Alloy steel
电缆长度 Cable Length	4M 9M
密封等级 Protection Class	IP67
引用标准 Citation	GB/T7551-2008 OIMLR60
接线方式 Mode Of Connection	输入 + 红 Input+:Red 输入 - 黑 Input-:Black 输出 + 绿 Output+:Green 输出 - 白 Output-:White